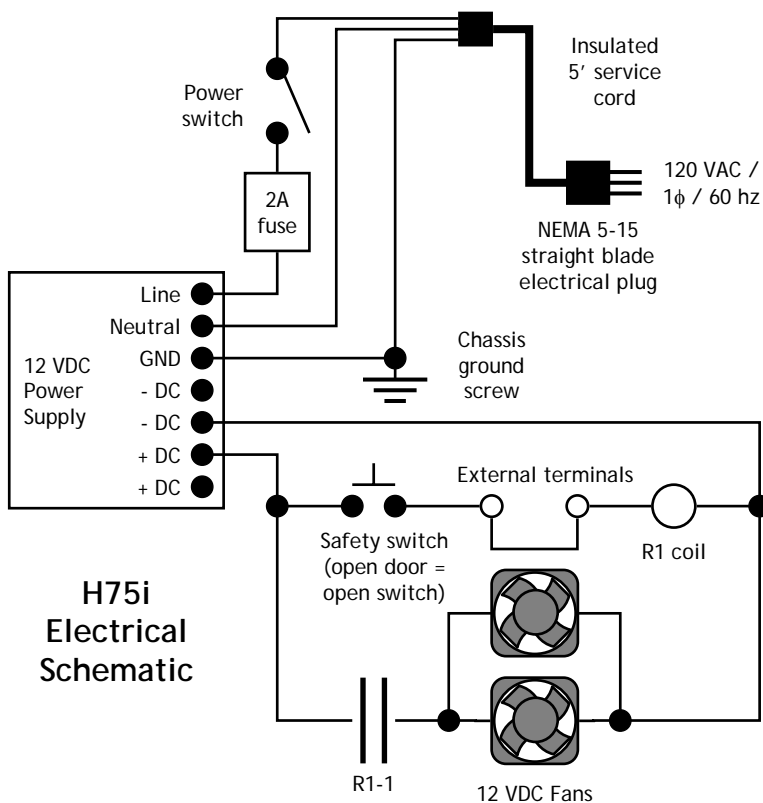
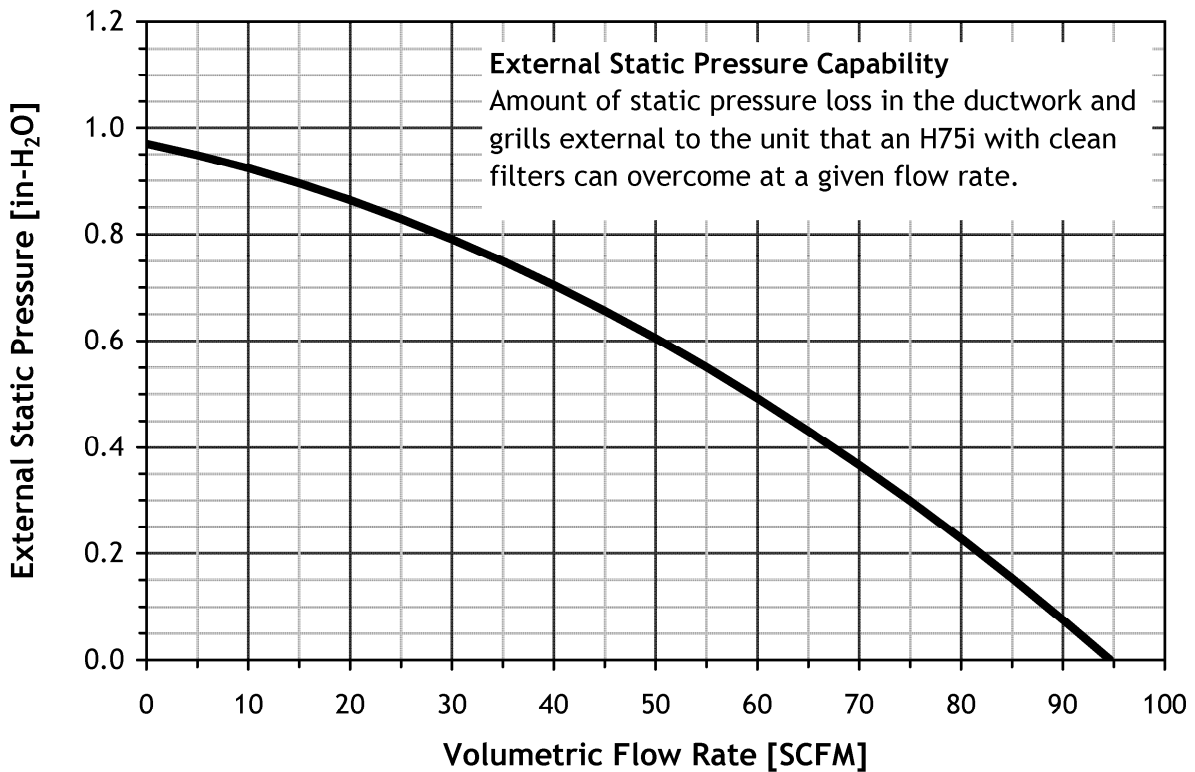


H75i Residential System



Specifications	
Weight	27 lb
Air Flow	75 SCFM nominal, 94 SCFM maximum
Voltage	120 VAC
Circuit	60 hz, single phase
Power	90 W
FLA	0.75 A
MCA	1.0 A
MOP	15 A
Cord	5' long, grounded plug
Certification	ARI 1060 certified ETL listed
Filters	Washable polyester fiber
Insulation	1" fiberglass (4.2 R-value)
Control	Rocker switch and external terminals operate internal relay

NOTES:

SYSTEM IS INTENDED FOR INDOOR USE ONLY.

OA - OUTSIDE AIR INTAKE [FRESH AIR]
 SA - SUPPLY AIR EXIT [FRESH AIR]
 RA- RETURN AIR INTAKE [STALE AIR]
 EA - EXHAUST AIR EXIT [STALE AIR]

AIR STREAMS ARE **NOT** INTERCHANGEABLE AND INPUTS SHOULD **NOT** BE REVERSED DURING INSTALLATION.

SYSTEM WEIGHT = 27 LB.

ELECTRICAL CONNECTION VIA 60" INSULATED 115 VAC SERVICE CORD (INCLUDED BUT NOT SHOWN).

MANUAL ON/OFF SWITCH OR REMOTE OPERATION VIA RELAY AND EXTERNAL TERMINALS PROVIDED.

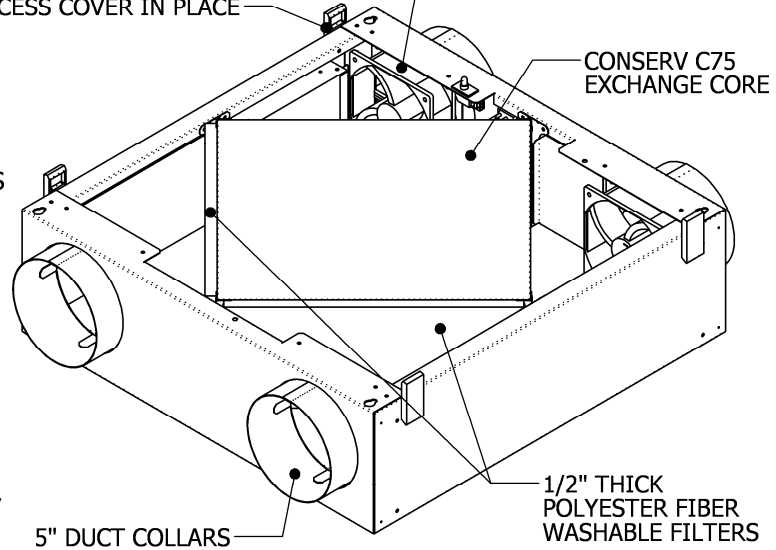
1" THICK FIBERGLASS INSULATION IS STANDARD.

INSTALLATION KIT INCLUDES 72" OF MOUNTING CHAIN, FOUR BRACKETS AND SCREWS TO ATTACH TO UNIT.

LIFTOFF CLASPS SECURE ACCESS COVER IN PLACE

BRUSHLESS DC FANS

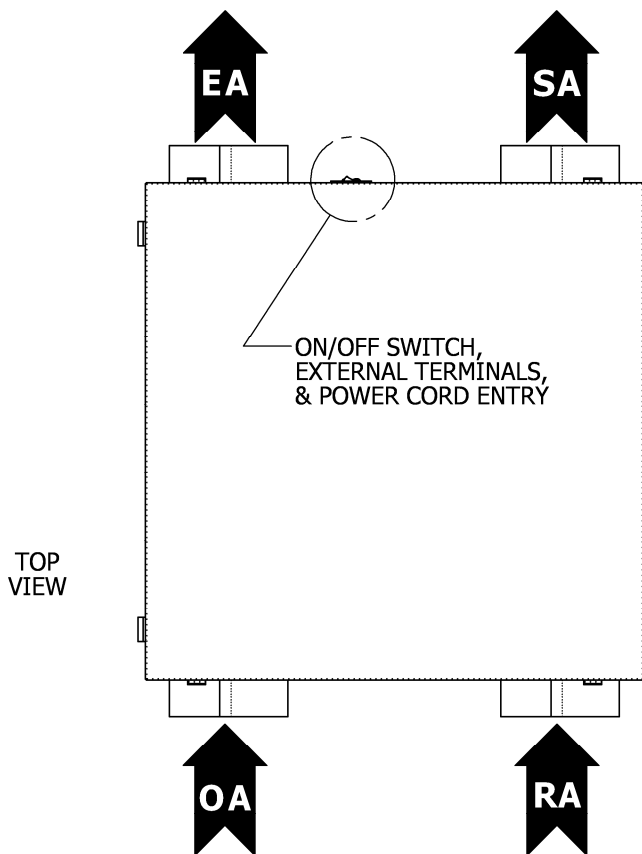
CONSERV C75 EXCHANGE CORE



5" DUCT COLLARS

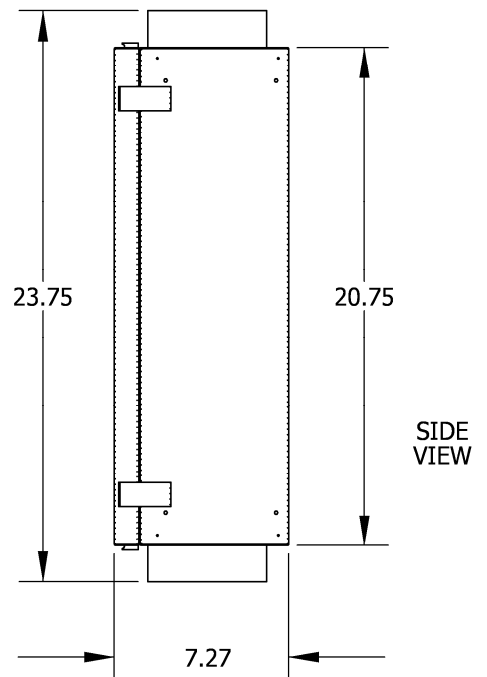
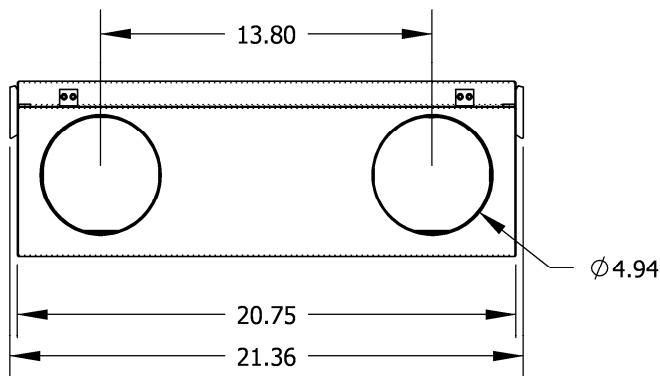
1/2" THICK POLYESTER FIBER WASHABLE FILTERS

SHOWN WITH ACCESS COVER REMOVED



TOP VIEW

FRONT VIEW



SIDE VIEW

NOTES:

UNIT CAN BE MOUNTED AND OPERATED IN ANY ORIENTATION.

ACCESS COVER CAN BE INSTALLED IN ANY OF FOUR DIRECTIONS TO KEEP GRAPHICS IN PROPER POSITION.

RETAINING POSTS ON THE ACCESS COVER AND KEYHOLE SLOTS IN THE MAIN UNIT PREVENT ACCIDENTAL DISLODGMET OF THE ACCESS COVER WHEN UNLATCHED.

SIZE A	REV. 1	MODIFIED 1/14/2009	RESIDENTIAL ERV SYSTEM		MODEL H75i
www.conserv.com		DO NOT SCALE DRAWING		87	DIMENSIONS IN INCHES www.conserv.com