

F02x - F06x Systems

F02x to F06x systems offer 2 to 6 C510 high-performance enthalpy exchange Conserv™ cores, making them suitable for flows ranging from 200 CFM to 3,500 CFM.

F02 - F06 Model Number Key		F	-	-	-	-	-	-	-	-	-	-	-
F = F series	Overall system type												
02 thru 06	# of C510 cores in system												
i = Indoor R = Rooftop	Installation location												
S = Standard H = High Static	Supply blower capability												
S = Standard H = High Static	Return blower capability												
1 = 115 V 2 = 208 V or 230 V 4 = 460 V 5 = 575 V	Electrical voltage												
1 = Single phase 3 = Three phase	Electrical service												
H = Horizontal T = Top	Outside Air [OA] entrance direction												
H = Horizontal T = Top B = Bottom	Supply Air [SA] exit direction												
H = Horizontal B = Bottom	Return Air [RA] entrance direction												
H = Horizontal T = Top B = Bottom	Exhaust Air [EA] exit direction												

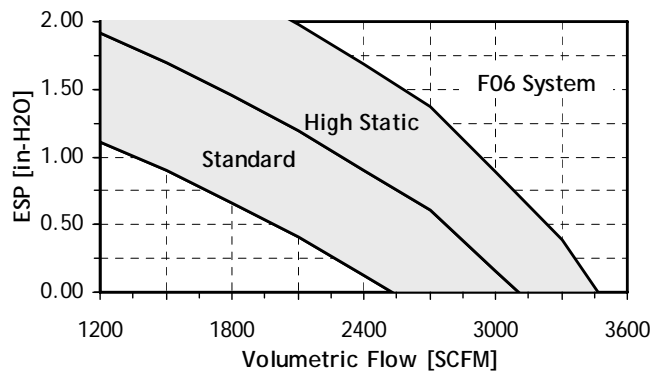
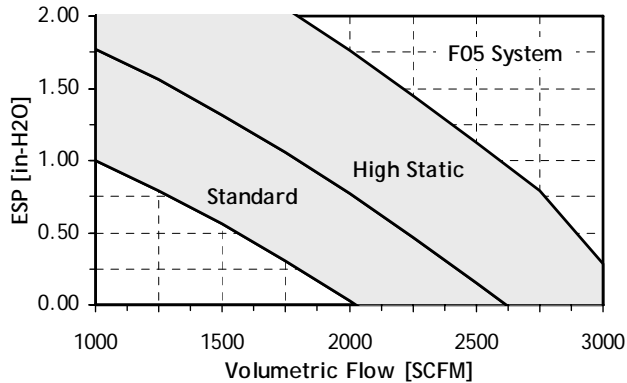
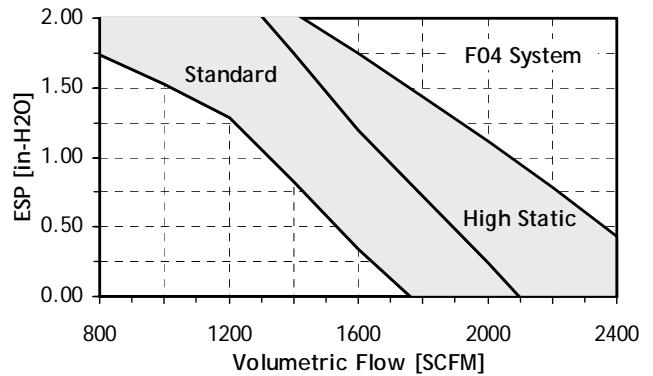
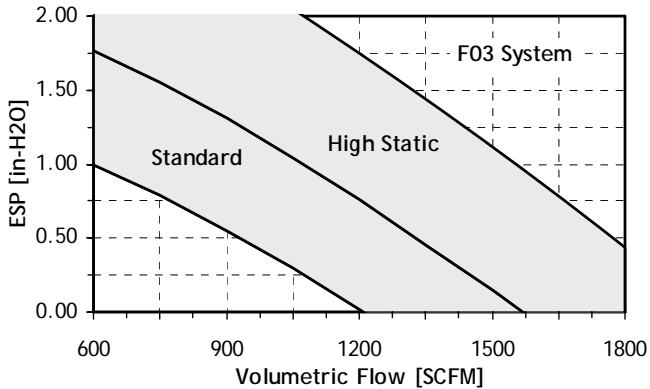
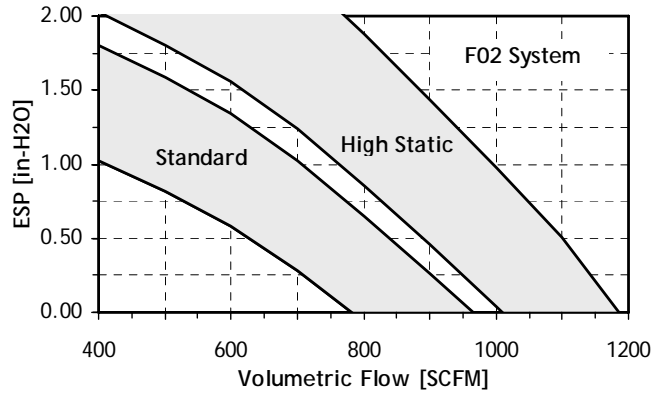
Example: F03i-SS23-HHHH

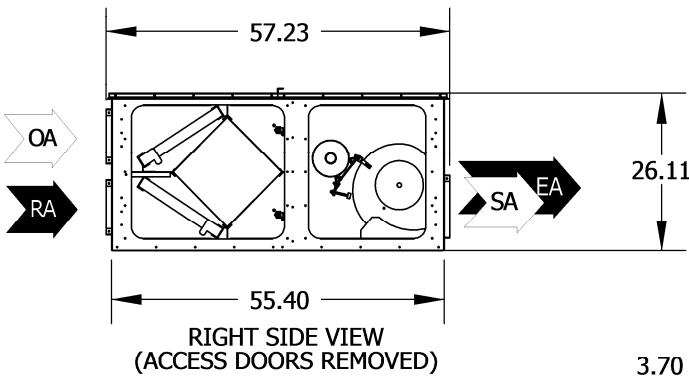
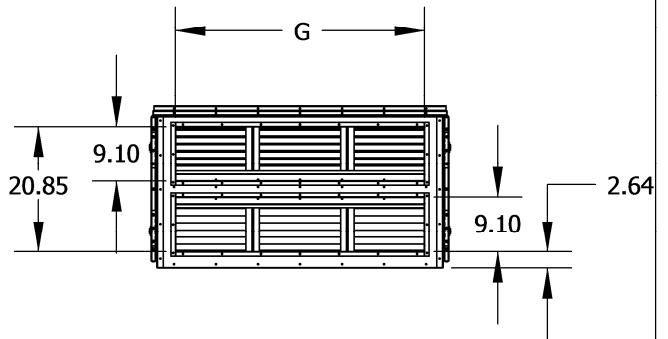
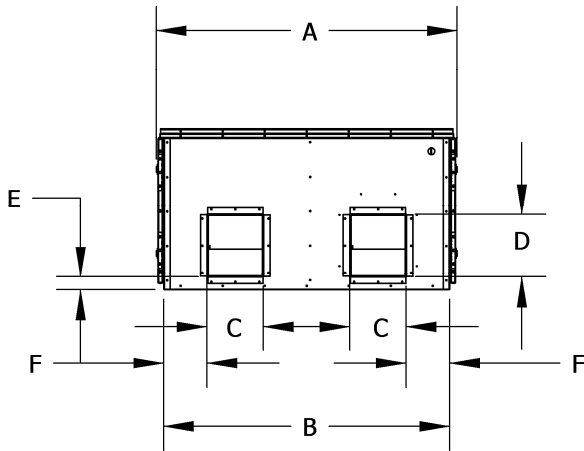
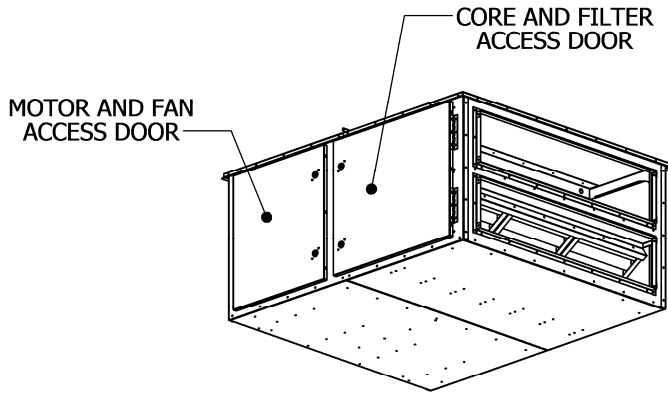
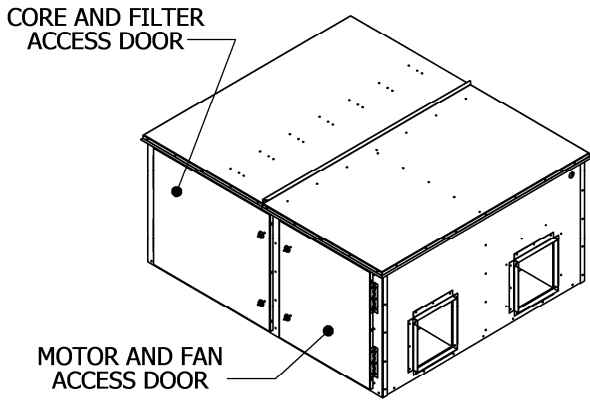
This unit has 3 C510 cores for indoor installation. Both air streams use standard impellers, the power supply is 208 - 230V/3 ϕ , and all of the duct openings are in the horizontal direction.

F02x - F06x Systems

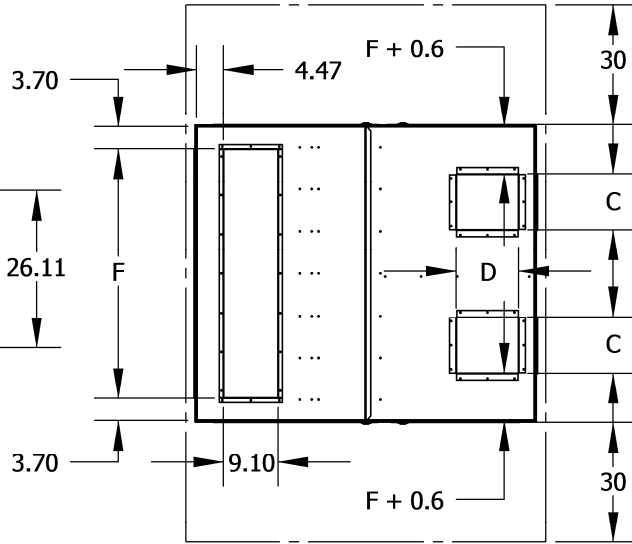
All F02x thru F06x systems are equipped with a belt and pulley centrifugal fan / motor assembly. If the standard operating envelope is not sufficient, each unit has a high static pressure option available as a factory option.

Model	Static Pressure Option	Motor HP	Fan RPM Range
F02x	Standard	1 HP	1333 - 1750
	High Static	2 HP	1703 - 2176
F03x	Standard	2 HP	1182 - 1577
	High Static	2 HP	1577 - 2160
F04x	Standard	2 HP	1232 - 1650
	High Static	3 HP	1400 - 1825
F05x	Standard	3 HP	853 - 1150
	High Static	3 HP	1150 - 1550
F06x	Standard	3 HP	877 - 1169
	High Static	3 HP	1053 - 1425





RECOMMENDED SERVICE AREA SHOWN



TOP VIEW
(OPTIONAL TOP DUCT CONNECTIONS SHOWN,
BOTTOM CONNECTIONS ARE SAME SIZE)

NOTES:

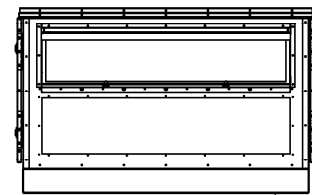
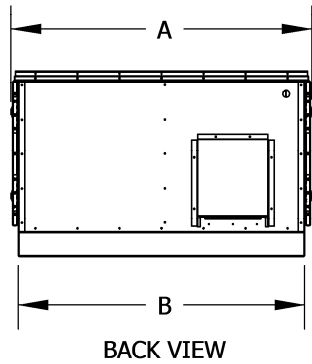
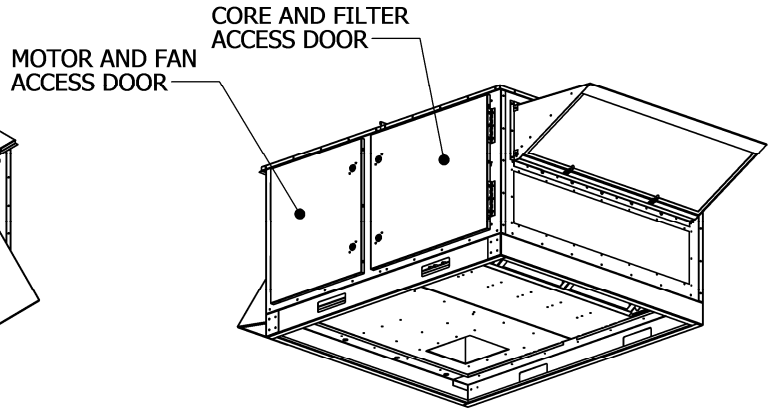
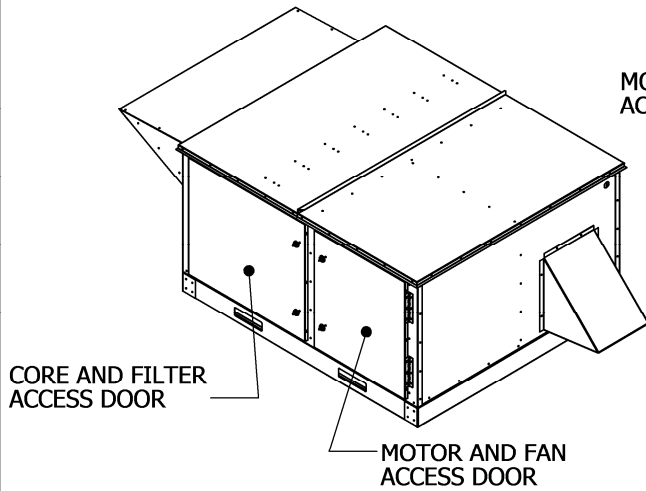
SYSTEM IS INTENDED FOR INDOOR USE ONLY

OA - OUTSIDE AIR INTAKE
SA - SUPPLY AIR EXIT
RA - RETURN AIR INTAKE
EA - EXHAUST AIR EXIT

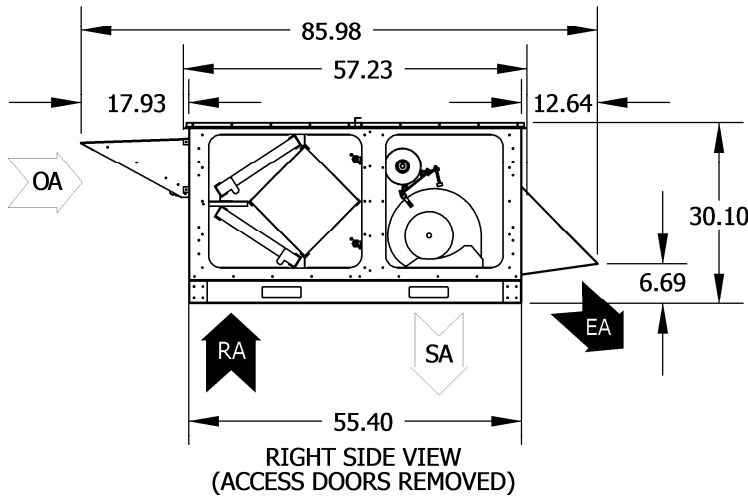
OA & RA INPUTS CAN BE SWITCHED UPON REQUEST,
CAUSING SA & EA TO REVERSE POSITIONS

F03i MODEL PICTURED

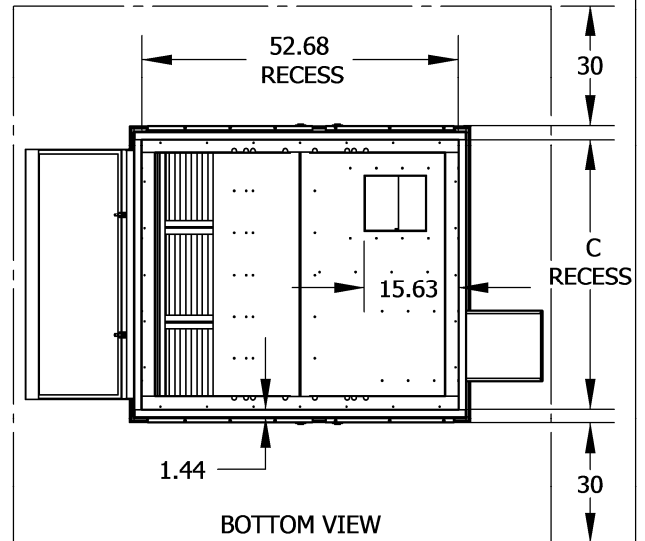
CORES	MODEL #	WEIGHT [LB]	A	B	C	D	E	F	G
2	F02i	415	34.36	31.89	9.46	10.42	2.10	3.32	25.79
3	F03i	490	50.11	47.64	9.46	10.42	2.12	7.25	41.54
4	F04i	585	65.86	63.39	13.39	11.55	2.60	9.23	57.29
5	F05i	655	81.61	79.14	15.94	13.66	2.10	11.89	73.04
6	F06i	730	97.36	94.89	15.94	13.66	2.08	15.82	88.79



3.99 RECESS TO UNDERSIDE OF UNIT FLOOR



RECOMMENDED SERVICE AREA SHOWN



NOTES:

SYSTEM IS INTENDED FOR OUTDOOR USE

OA - OUTSIDE AIR INTAKE
 SA - SUPPLY AIR EXIT
 RA - RETURN AIR INTAKE
 EA - EXHAUST AIR EXIT

FOLLOW ALL APPLICABLE CODES AND PROPER DESIGN PRACTICES TO ANCHOR SYSTEM TO ROOF AND CURB

F03R MODEL PICTURED

CORES	MODEL #	WEIGHT [LB]	A	B	C
2	F02R	460	34.36	31.96	29.08
3	F03R	545	50.11	47.71	44.83
4	F04R	645	65.86	63.46	60.58
5	F05R	730	81.61	79.21	76.33
6	F06R	815	97.36	94.96	92.08