

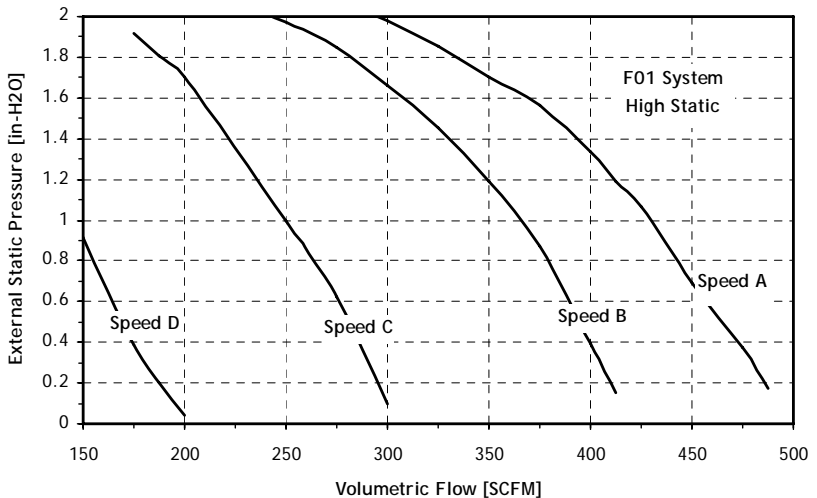
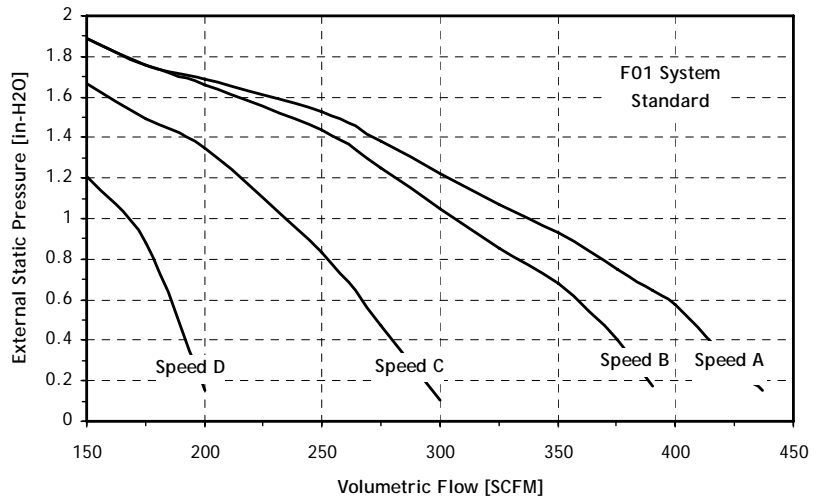
F01i Indoor System

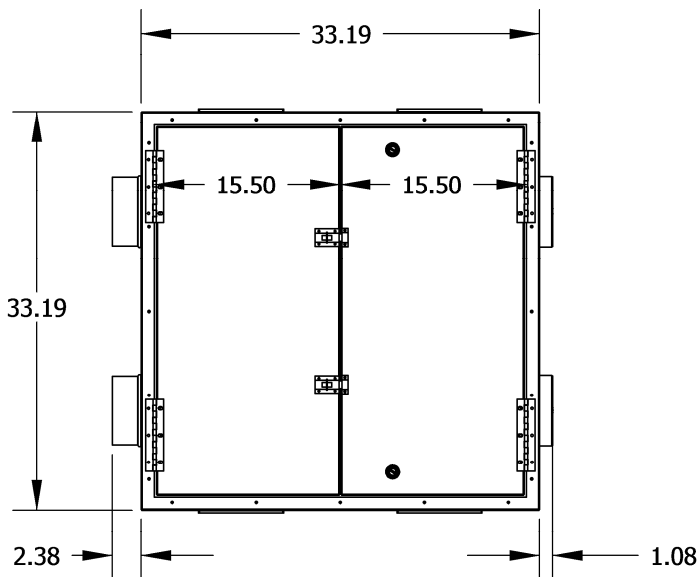
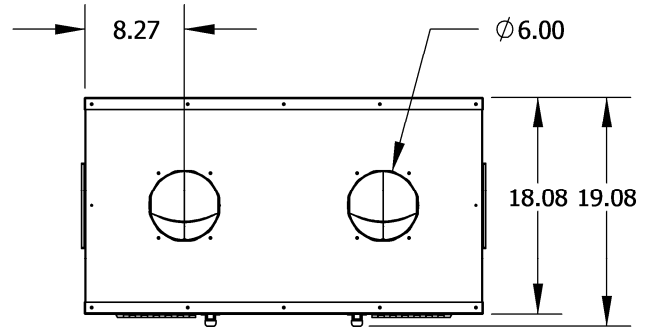
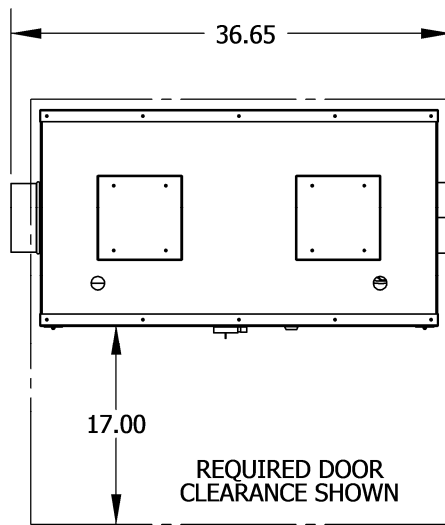
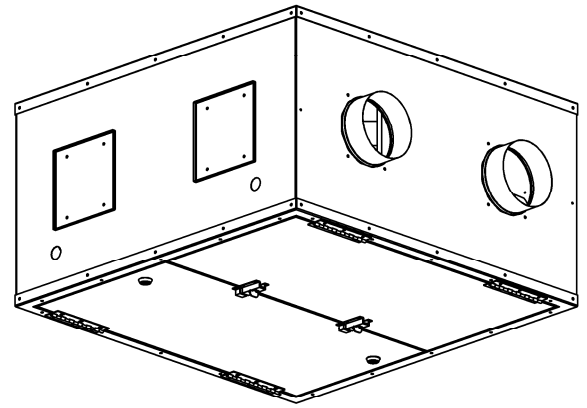
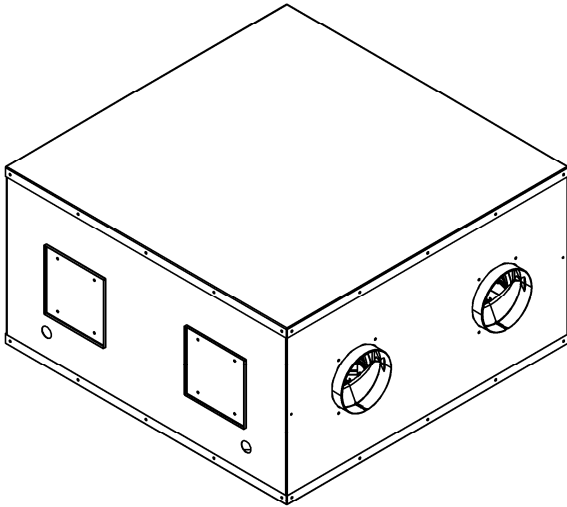
F01i Indoor Systems offer a C510 high-performance enthalpy exchange ConsERV™ core, making it suitable for flows ranging from 150 CFM to 475 CFM.

| F01i Model Number Key | | F | 0 | 1 | i | - | - | - |
|---|--------------------------|---|---|---|---|---|---|---|
| F = F series | Overall system type | | | | | | | |
| 01 | (1) C510 cores in system | | | | | | | |
| i = Indoor | Installation location | | | | | | | |
| S = Standard H = High Static | Blower capability | | | | | | | |
| 1 = 115 V 2 = 208 V or 230 V 4 = 460 V 5 = 575 V | Electrical voltage | | | | | | | |
| 1 = Single phase 3 = Three phase | Electrical service | | | | | | | |

FlowControl Options:

The F01 system comes standard with 4-speed direct-drive forward-curved blowers. Blower speed is selected via the wiring connections chosen at installation. See the wiring schematic on page 44 for more information.





UNIT WEIGHT = 145 LB

FLOW CONFIGURATIONS ARE SPECIFIED AT TIME OF ORDER AND CONFIGURED AT THE FACTORY

UNIT IS SHOWN AS IT WOULD BE INSTALLED IN A CEILING MOUNT APPLICATION, WITH ACCESS DOORS ON THE BOTTOM. THE UNIT CAN ALSO BE INSTALLED WITH ACCESS DOORS ON THE TOP OR SIDE.

UNIT IS INTENDED FOR INDOOR INSTALLATION

| | | | | | |
|-----------------|-----------|----------------------|---------------------------------|----------------------|-----------------|
| SIZE A | REV. 1 | MODIFIED 1/8/2009 | F01 Series Indoor System | | MODEL F01i |
| www.conserv.com | | DO NOT SCALE DRAWING | 47 | DIMENSIONS IN INCHES | www.conserv.com |