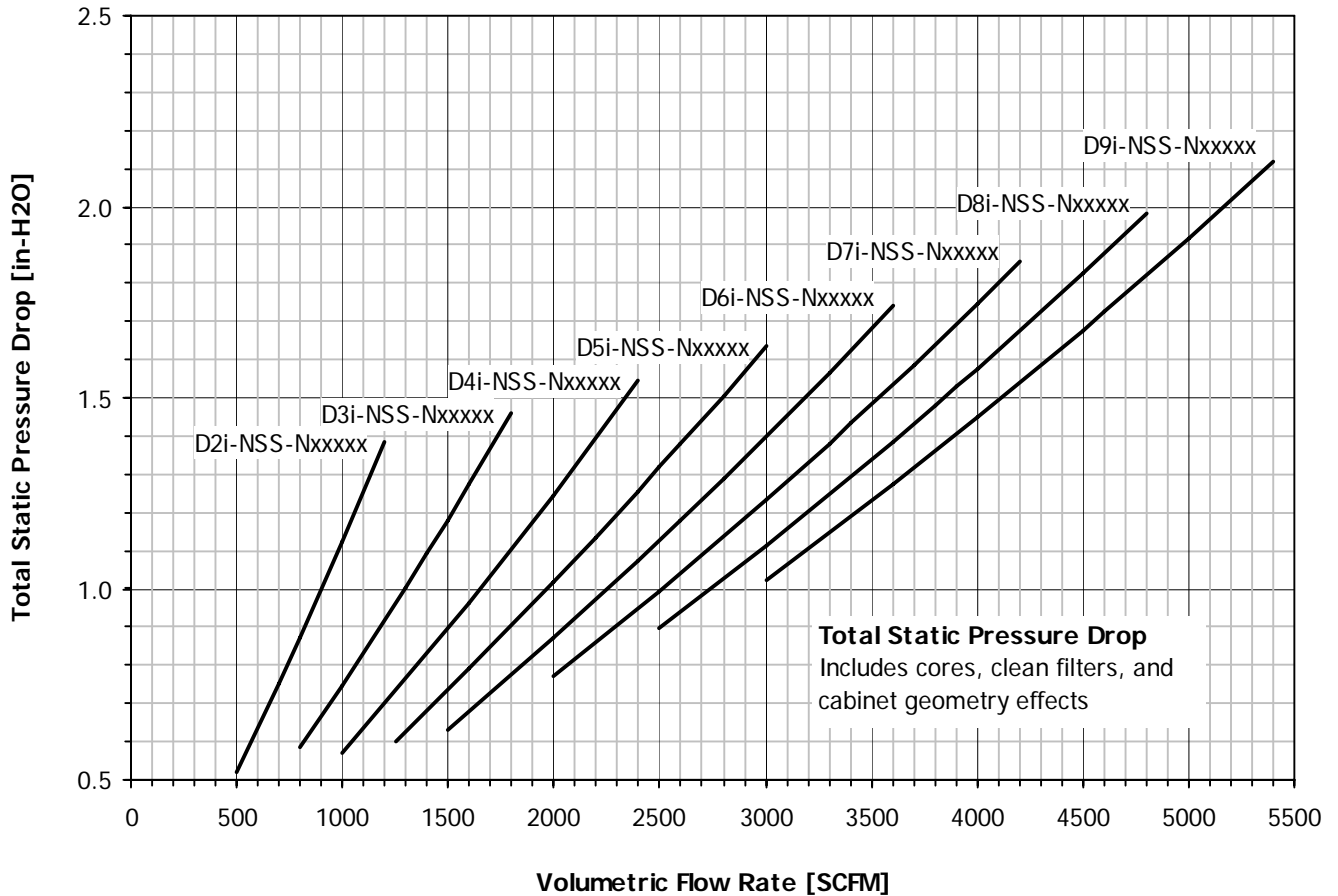
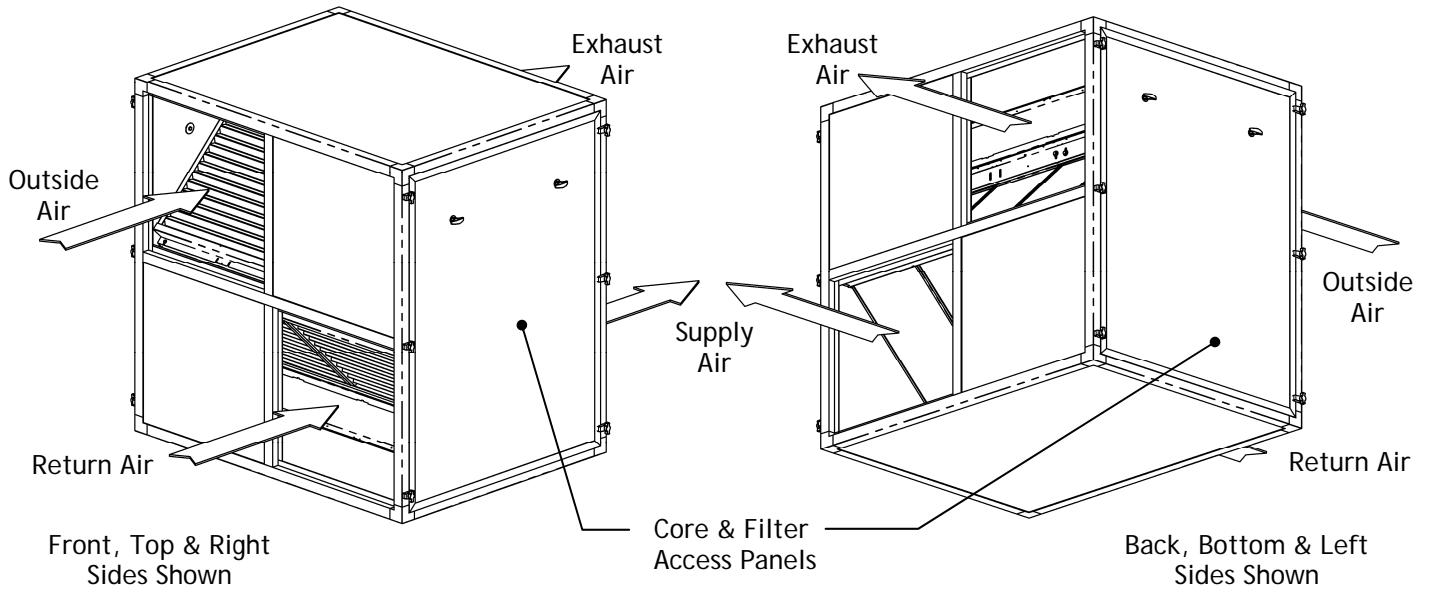


# D Series → Model i-NSS-Nxxxxx

A standard height indoor system that offers a flexible duct connection pattern while minimizing the static pressure drop through the system. Construction is aluminum space frame with corrosion-resistant hardware and double-walled coated aluminum panels, whose closed-cell foam insulation results in a 6.3 R-value.



# CORES	MODEL #	A	B	C	WEIGHT [LB]
2	D2i - NSS	29.18	26.72	11	208
3	D3i - NSS	41.52	39.06	17.17	276
4	D4i - NSS	53.87	51.41	23.34	344
5	D5i - NSS	66.21	63.75	29.51	412
6	D6i - NSS	78.55	76.09	35.68	480
7	D7i - NSS	90.9	88.44	41.86	548
8	D8i - NSS	103.24	100.78	48.03	616
9	D9i - NSS	115.59	113.13	54.2	684

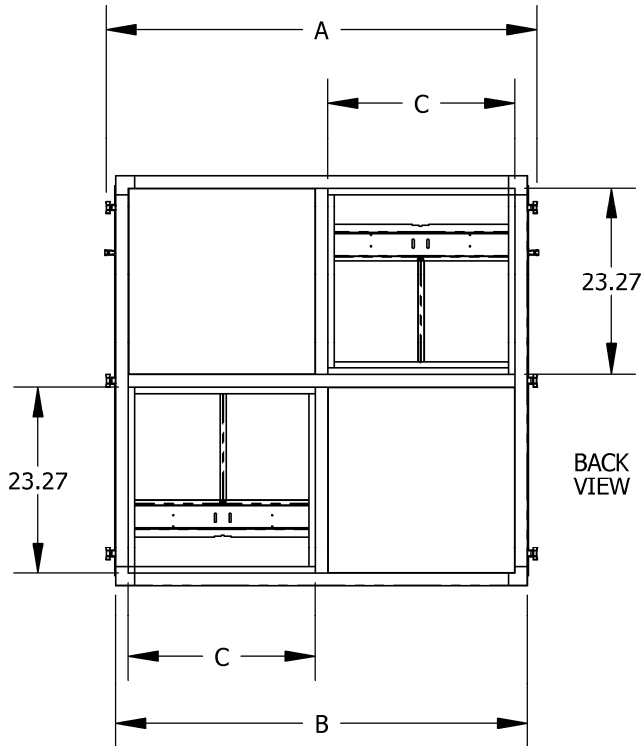
NOTES:

SYSTEM IS INTENDED FOR INDOOR USE

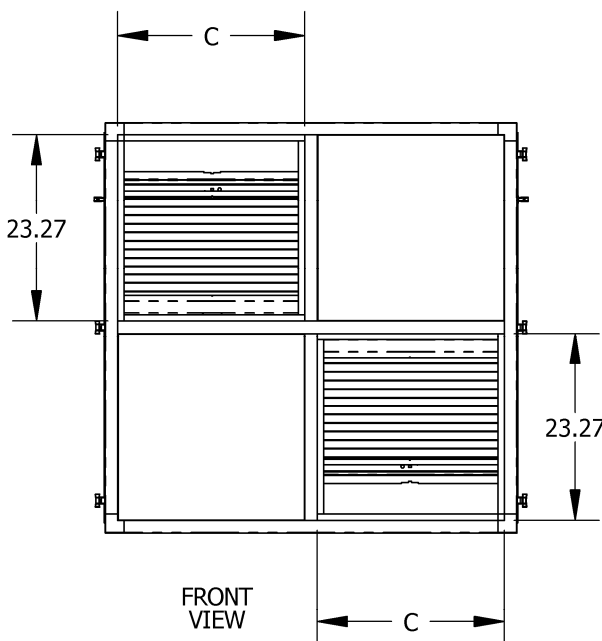
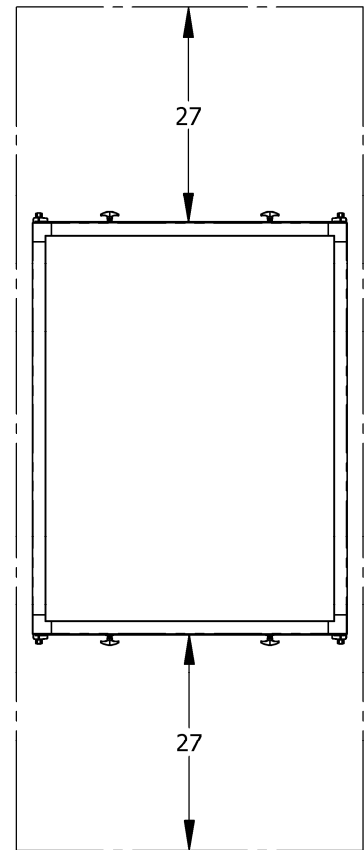
D4i-NSS-NSHHHH MODEL PICTURED

32 FLOW CONFIGURATIONS AVAILABLE FOR PRE-ORDER  
(SEE ORDER INFORMATION SHEETS FOR DETAILS)

DIFFERENT FLOW CONFIGURATIONS CAN CHANGE  
PLACEMENT OF OPENINGS AND STRUCTURAL DETAILS,  
BUT DIMENSIONS ARE VALID THROUGHOUT MODEL LINE



TOP VIEW  
(RECOMMENDED  
SERVICE AREA  
SHOWN)



RIGHT SIDE VIEW  
(ACCESS PANELS  
REMOVED)

