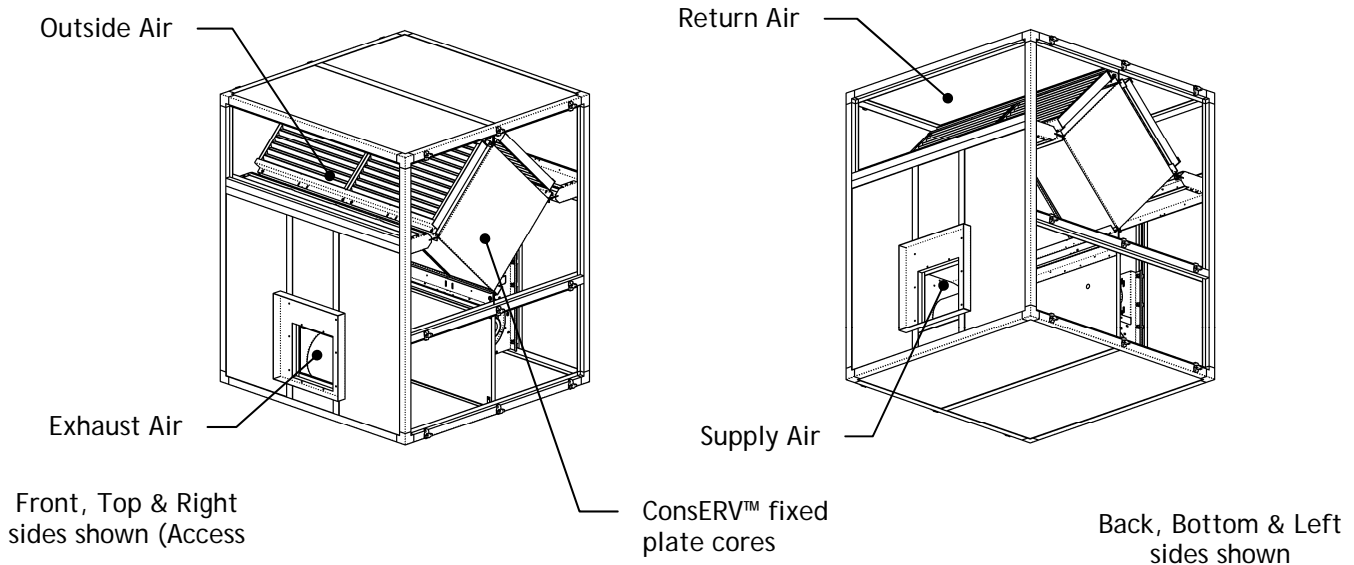


# D Series → Model i-FSE-xTHHHH

A standard-height indoor system with extended duct connections and integrated blowers supplying a wide range of pressures and flows. The box is rotated 90 degrees to allow a counterflow configuration where outside air and return air travel in opposite directions. Construction is aluminum frame with corrosion-resistant hardware and double-walled coated aluminum panels, whose closed-cell foam insulation results in a 6.3 R-value.



<b>D2i-FSE</b> <b>-xTHHHH</b>	ESP [in-H <sub>2</sub> O]		Max Weight = 358 lb		<b>D3i-FSE</b> <b>-xTHHHH</b>	ESP [in-H <sub>2</sub> O]		Max Weight = 448 lb	
	0	0.5	1	1.5		0	0.5	1	1.5
	Airflow	500	1/2 hp	1/2 hp		1/2 hp	1/2 hp	3/4 hp	3/4 hp
	[SCFM]	900	1/2 hp	1/2 hp		1 hp	1.5 hp	1 hp	1.5 hp
		1000	1/2 hp	3/4 hp		1.5 hp	1.5 hp	1.5 hp	1.5 hp
	1200	3/4 hp	1 hp	1.5 hp	1.5 hp	2 hp	2 hp		
<b>D4i-FSE</b> <b>-xTHHHH</b>	ESP [in-H <sub>2</sub> O]		Max Weight = 532 lb		<b>D5i-FSE</b> <b>-xTHHHH</b>	ESP [in-H <sub>2</sub> O]		Max Weight = 630 lb	
	0	0.5	1	1.5		0	0.5	1	1.5
	Airflow	1000	1/2 hp	1/2 hp		3/4 hp	3/4 hp	1 hp	1.5 hp
	[SCFM]	1800	3/4 hp	1 hp		1.5 hp	2 hp	1.5 hp	2 hp
		2000	1 hp	1.5 hp		1.5 hp	2 hp	2 hp	3 hp
	2400	1.5 hp	2 hp	3 hp	3 hp	3 hp	5 hp		
<b>D6i-FSE</b> <b>-xTHHHH</b>	ESP [in-H <sub>2</sub> O]		Max Weight = 708 lb		<b>D7i-FSE</b> <b>-xTHHHH</b>	ESP [in-H <sub>2</sub> O]		Max Weight = 794 lb	
	0	0.5	1	1.5		0	0.5	1	1.5
	Airflow	1800	1/2 hp	3/4 hp		1.5 hp	1.5 hp	1.5 hp	1.5 hp
	[SCFM]	2400	1 hp	1.5 hp		2 hp	3 hp	3 hp	3 hp
		3000	1.5 hp	2 hp		3 hp	3 hp	5 hp	5 hp
	3400	2 hp	3 hp	5 hp	5 hp	5 hp	5 hp		
<b>D8i-FSE</b> <b>-xTHHHH</b>	ESP [in-H <sub>2</sub> O]		Max Weight = 872 lb		<b>D9i-FSE</b> <b>-xTHHHH</b>	ESP [in-H <sub>2</sub> O]		Max Weight = 980 lb	
	0	0.5	1	1.5		0	0.5	1	1.5
	Airflow	3000	1.5 hp	1.5 hp		3 hp	3 hp	5 hp	5 hp
	[SCFM]	3500	2 hp	2 hp		3 hp	5 hp	5 hp	5 hp
		4000	3 hp	3 hp		5 hp	5 hp	5 hp	5 hp
	4500	5 hp	5 hp	5 hp	5 hp	7.5 hp	7.5 hp		

# CORES	MODEL #	A	B	C
2	D2i - FSE-xTHHHH	29.18	26.72	23.57
3	D3i - FSE-xTHHHH	41.52	39.06	35.91
4	D4i - FSE-xTHHHH	53.87	51.41	48.26
5	D5i - FSE-xTHHHH	66.21	63.75	60.60
6	D6i - FSE-xTHHHH	78.55	76.09	72.94
7	D7i - FSE-xTHHHH	90.9	88.44	85.29
8	D8i - FSE-xTHHHH	103.24	100.78	97.63
9	D9i - FSE-xTHHHH	115.59	113.13	109.98

NOTES:

SYSTEM IS INTENDED FOR INDOOR USE ONLY

OA - OUTSIDE AIR INTAKE

SA - SUPPLY AIR EXIT

RA - RETURN AIR INTAKE

EA - EXHAUST AIR EXIT

OA & RA INPUTS CAN BE SWITCHED UPON REQUEST, CAUSING SA & EA TO REVERSE POSITIONS

D4i-FSE-xTHHHH MODEL PICTURED

