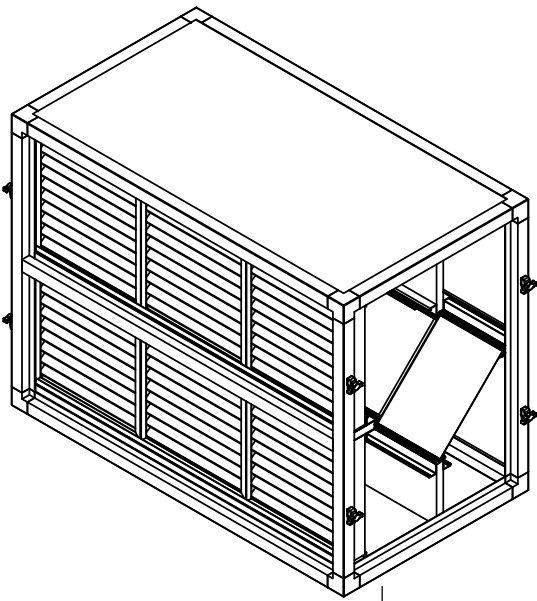


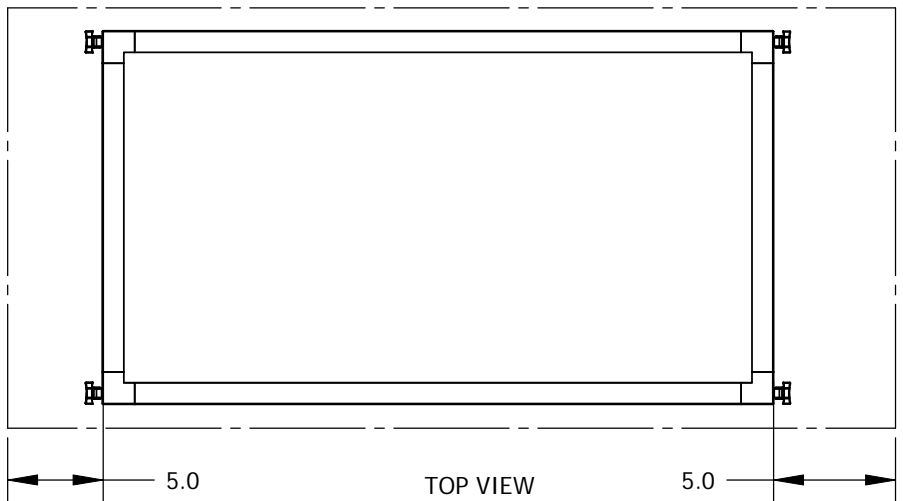
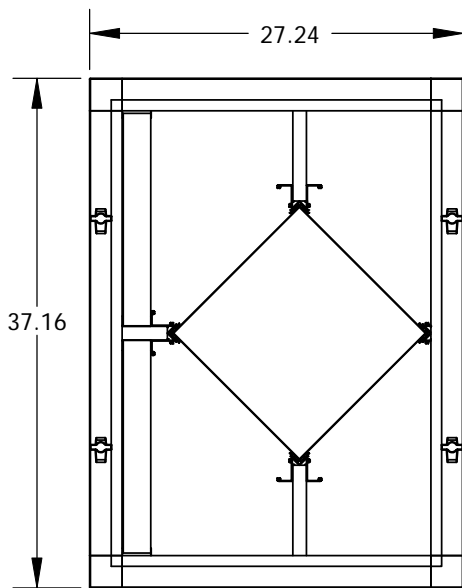
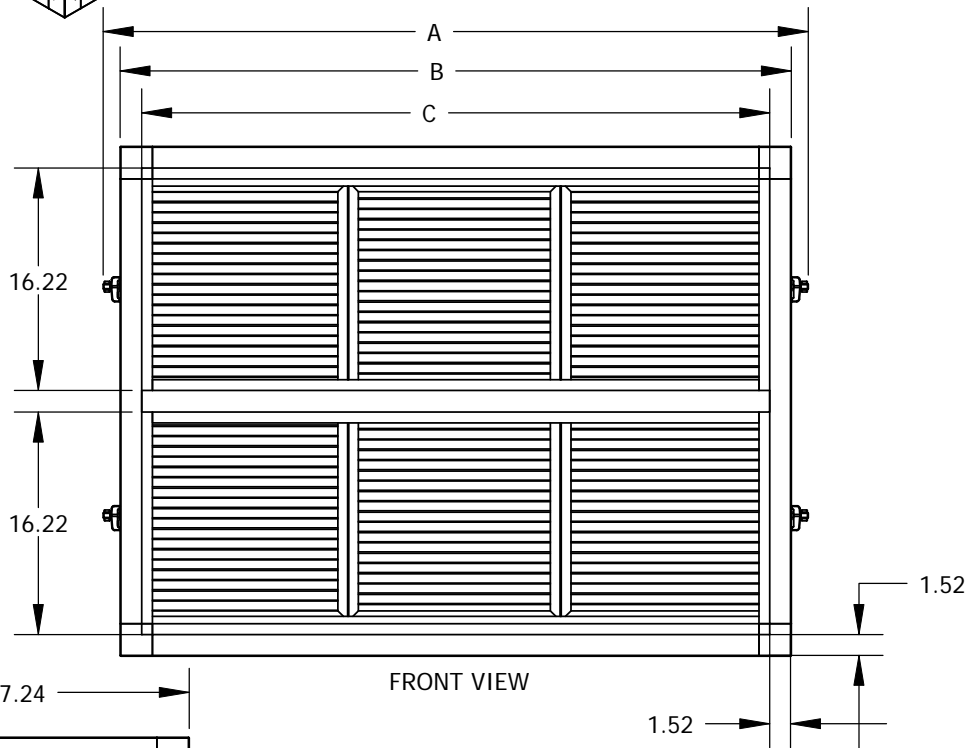
NOTES:

SYSTEM IS INTENDED FOR INDOOR USE ONLY

K1V3 MODEL PICTURED



# CORES	MODEL #	A	B	C
1	K1V1	20.22	17.76	14.61
2	K1V2	35.81	33.35	30.20
3	K1V3	51.41	48.95	45.80
4	K1V4	67.00	64.54	61.39
5	K1V5	82.59	80.13	76.99
6	K1V6	98.19	95.73	92.58
7	K1V7	113.78	111.3	108.17
8	K1V8	129.38	126.9	123.77
9	K1V9	144.97	142.5	139.36
10	K1V10	160.56	158.1	154.95
11	K1V11	176.16	173.7	170.55



SIZE A REV. 0 MODIFIED 2/10/2009

C510 CARTRIDGE SYSTEM

MODEL K1Vx

DO NOT SCALE DRAWING

DIMENSIONS IN INCHES